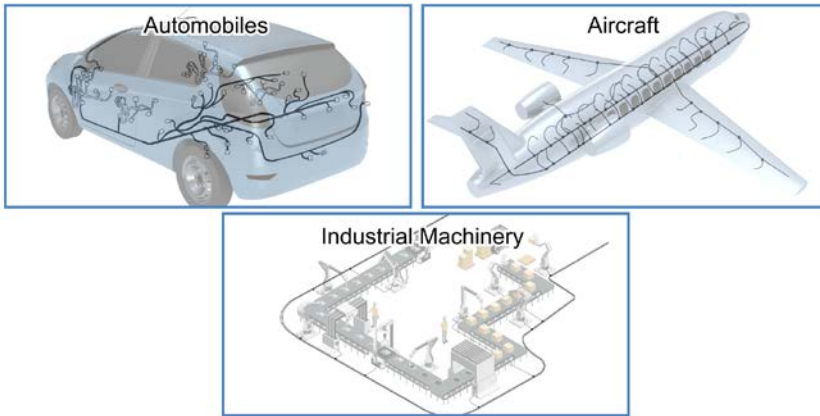


Wiring Harness Components

eLearning courses designed to increase productivity and profits



Learning Made Simple, Visual, and Interactive

The THORS *Wiring Harness Components* course serves as a foundational guide to understanding wiring harness components. This introductory course provides an interactive learning experience, enabling learners to explore the various electrical and mechanical components that make up a wiring harness and their roles in ensuring efficient power and signal transmission.

Credit Hours **2.5**

Learning Objectives

- Identify the electrical components of a wiring harness.
- Explain the functions of wires, cables, terminals, connectors, and electrical protective components in a wiring harness.
- Identify the mechanical components of a wiring harness.
- Describe the different fastening components and mechanical protective components in a wiring harness, along with their functions.
- Differentiate between the types of connectors used in a wiring harness.

Table of Contents

I. Electrical Components

- **Wires**
 - Parts
 - Properties
 - Specifications
- **Cables**
- **Terminals**
- **Connectors**
 - Based on Connection Method
 - Based on Environmental Resistance
 - Based on Locking Mechanism
 - Based on Shape
 - Based on Application

I. Electrical Components (continued)

- Based on Mounting Location
- Based on Number of Circuits
- Based on Voltage Rating
- Special Types
- **Electrical Protective Components**
 - Fuses
 - Fuse Boxes
 - Relays
 - Diodes
 - Resistors

II. Mechanical Components

- **Fastening Components**
 - Mounting Brackets
 - Bolts and Nuts
 - Clips
 - Clamps
 - Straps
 - Ties
- **Mechanical Protective Components**
 - Tape
 - Cable Sleeves
 - Cable Conduits
 - Grommets
 - Heat Shields

