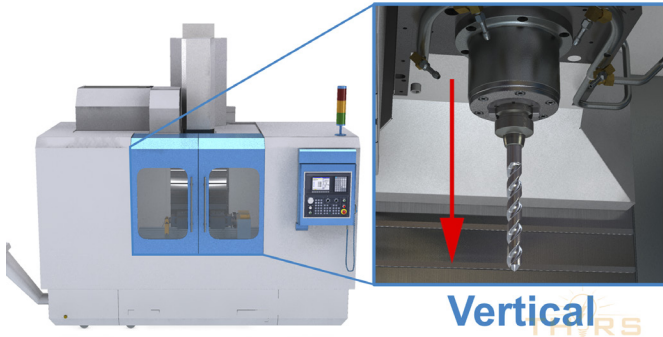


VERTICAL MACHINING CENTER VIDEO SERIES 2

Data-driven, time efficient training for Machine Tools, Machines, and Manufacturing Operations



The Vertical Machining Center Video Series 2 introduces learners to concepts that are important to the vertical machining process, such as workholding methods, cutting parameters, tool offsets and setting, and basic program codes. Important safety, best practices, and troubleshooting techniques for vertical machining operators are also presented.

Learning Hours **2.5**



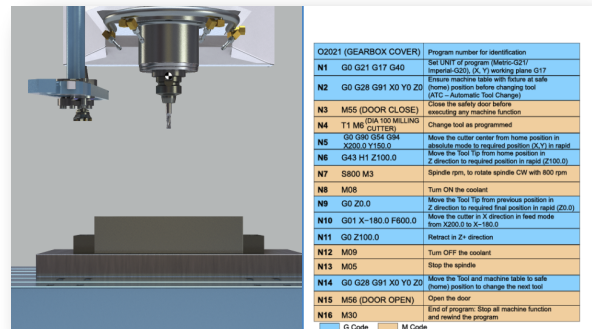
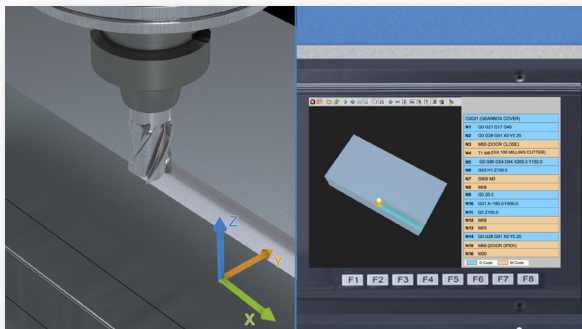
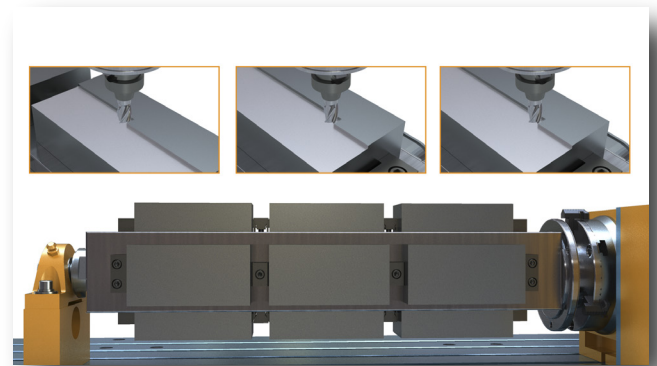
Learning Objectives

- 💡 Recall the common methods of fixturing and workholding for vertical machining operations.
- 💡 Differentiate between the cutting parameters of cutting speed, feed rate, and depth of cut.
- 💡 Understand tool offsets and the concept of cutter radius compensation.
- 💡 Recognize the common codes used for programming vertical machining centers.
- 💡 Recall the best practices and troubleshooting techniques for vertical machining centers.

Course Topics

Series 2

- Vertical Machining Center Fixtures and Workholding Devices
- Machining Center Cutting Parameters
- Vertical Machining Center Tool Offsets and Setting
- Vertical Machining Center Programming and Machine Codes
- Vertical Machining Center Best Practices and Troubleshooting



THORS is bringing together the best minds across many industries to create an ever-expanding library of courses that will rapidly increase the Manufacturing IQ® of your team.

sales@thors.com
+1 (330) 576 4448

5054 Paramount Blvd
Medina, OH 44256