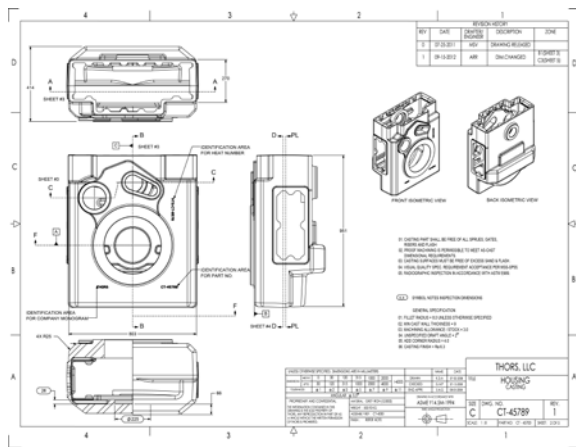


ENGINEERING DRAWINGS FOR CASTINGS [2ND ED.]

eLearning courses designed to increase productivity and profits



Learning made Simple, Visual, and Interactive

Engineering Drawings for Castings [2nd Ed.] elaborates on the fundamental terminology associated with engineering drawings used when casting a product. Presented in THORS' highly visual and interactive learning format, this course will help employees understand and interpret engineering drawings for castings.

Credit Hours **1.5**

Learning Objectives

- Identify the distinct characteristics that are included in a casting drawing.
- Understand the different features that entails a casting drawing.
- Differentiate the various symbols commonly associated with a casting drawing.
- Describe the importance of the notes section of a casting drawing and the different types of notes.

Table of Contents

I. Distinct Characteristics

- Casting Weight
- Draft Angle Requirement
- Dimensioning and Tolerancing
- Mismatch
- Size
- Wall Thickness

II. Features and Associated Symbols

- Datum Targets
- Fillet Radii
- Machining Allowance
- Material Specification
- Parting Line
- Surface Finish

III. Notes

- Cleanliness Requirements
- Conformance Requirements
- Informational Notes
 - o Proof Machining Requirement
 - o Inspection Notes Requirement
 - o Visual Quality Requirement

